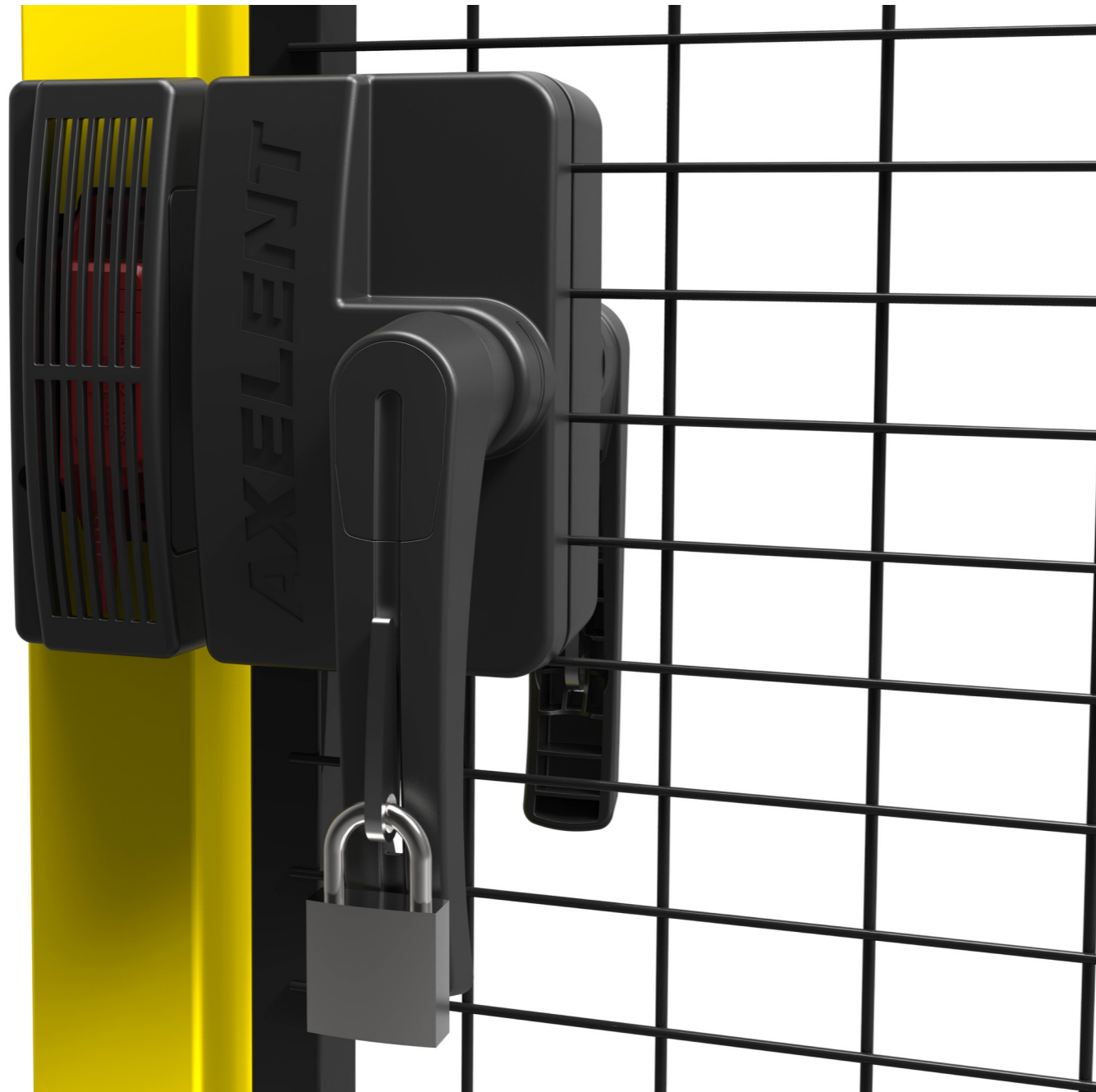


Axeleent Locks

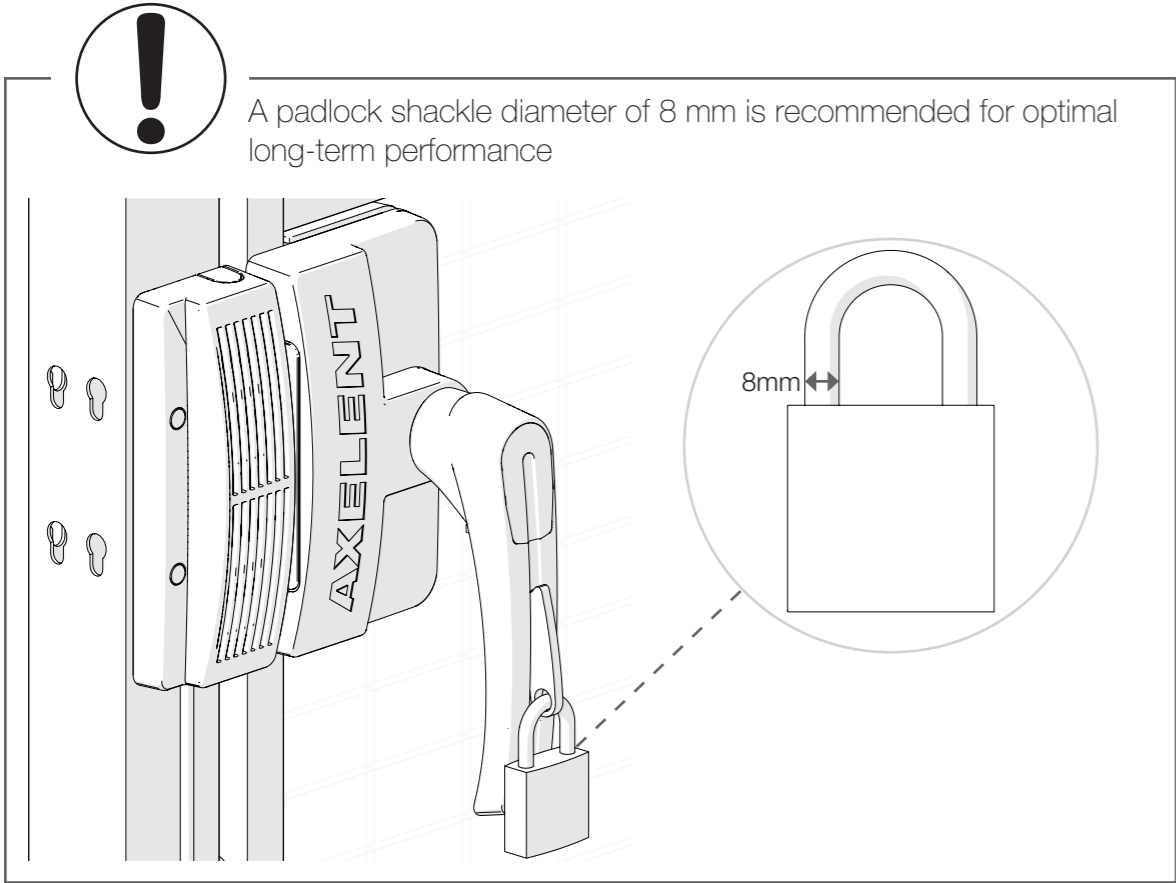
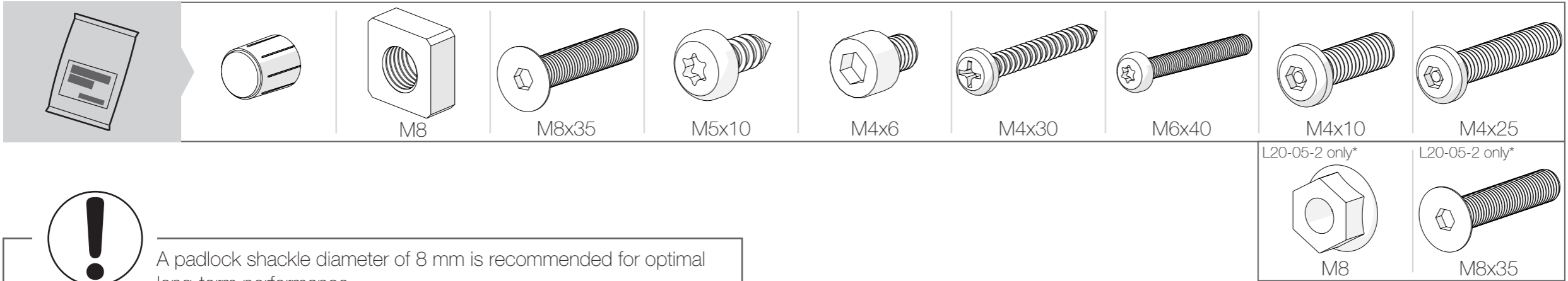
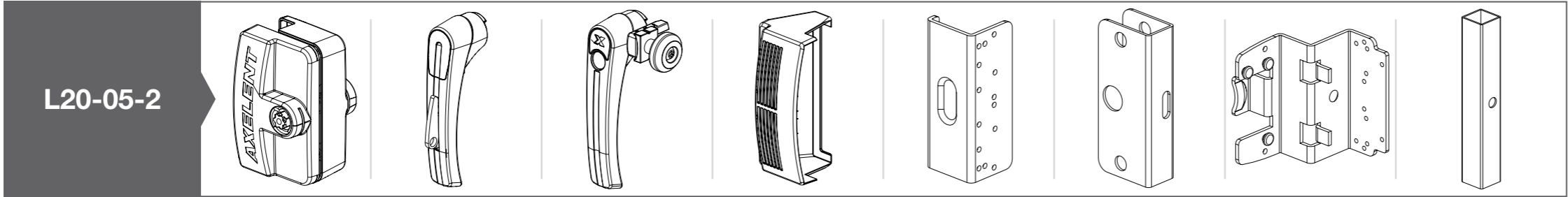
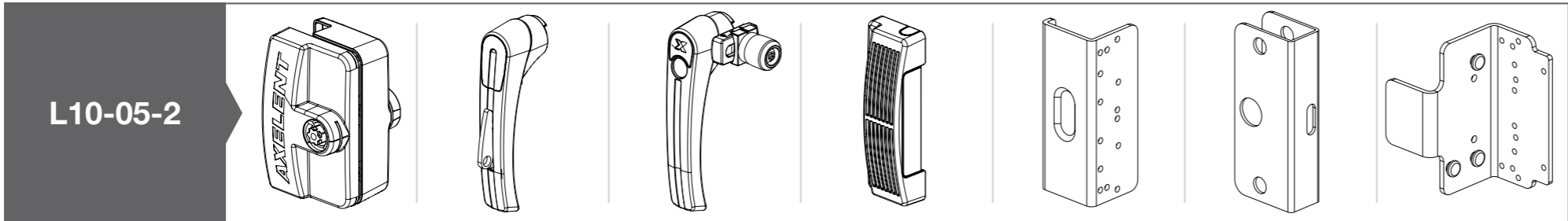
Hitch-Lock



AXELEENT AB

WWW.AXELEENT.COM

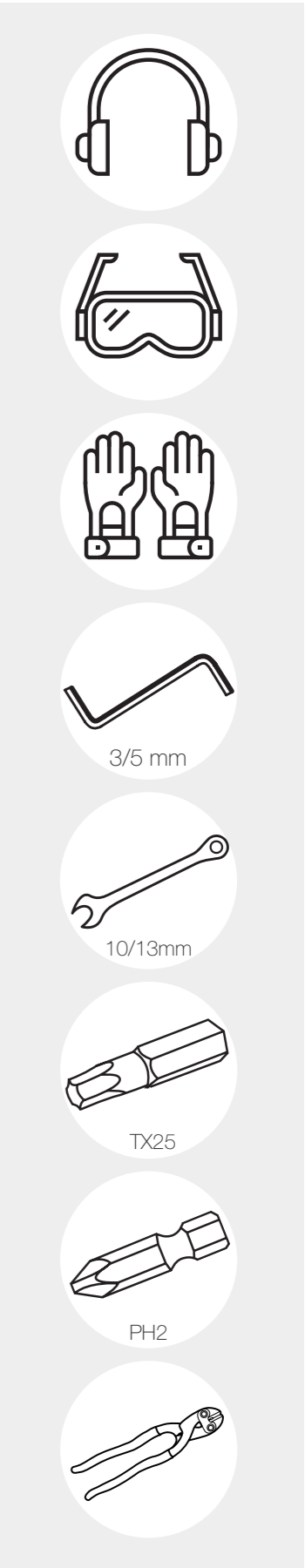


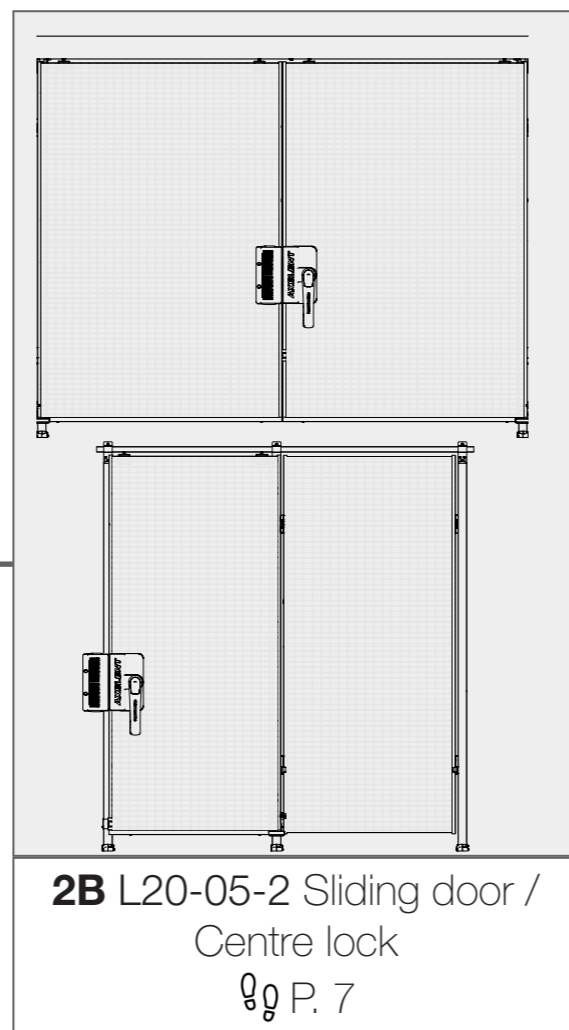
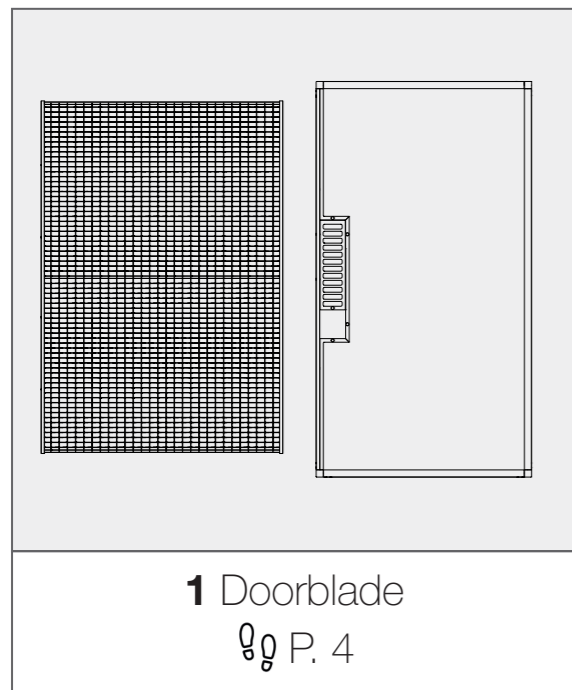


Spare part lists

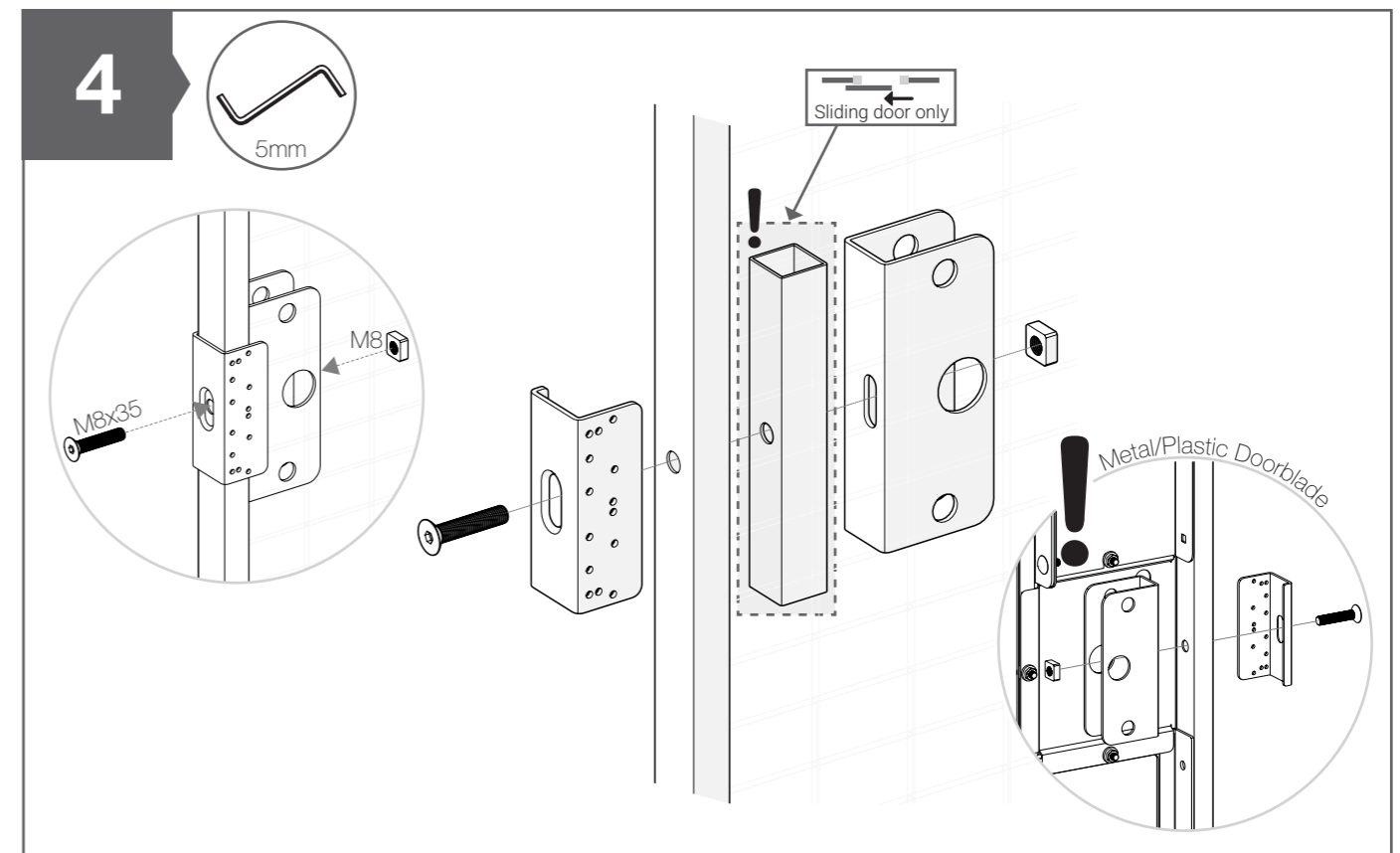
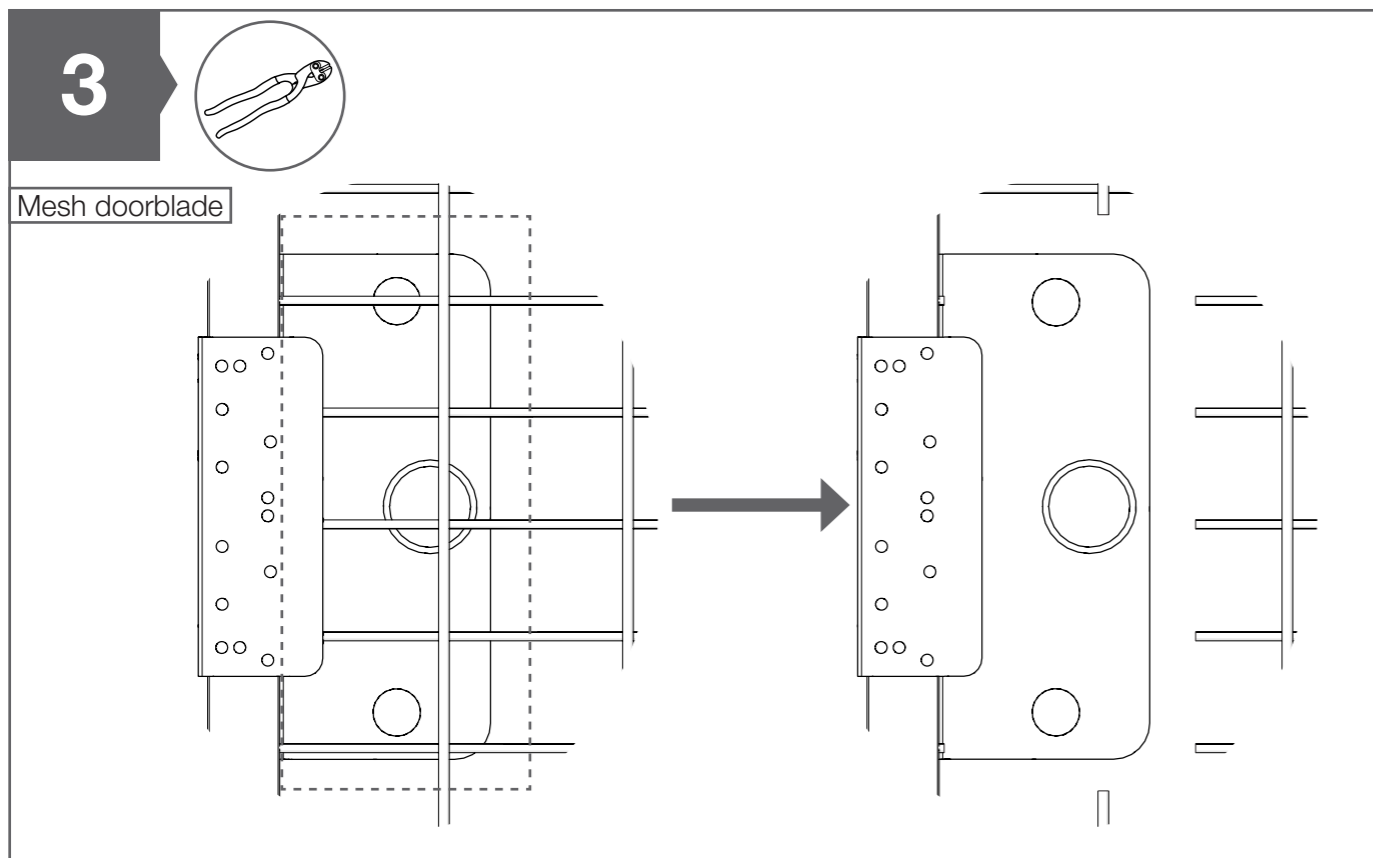
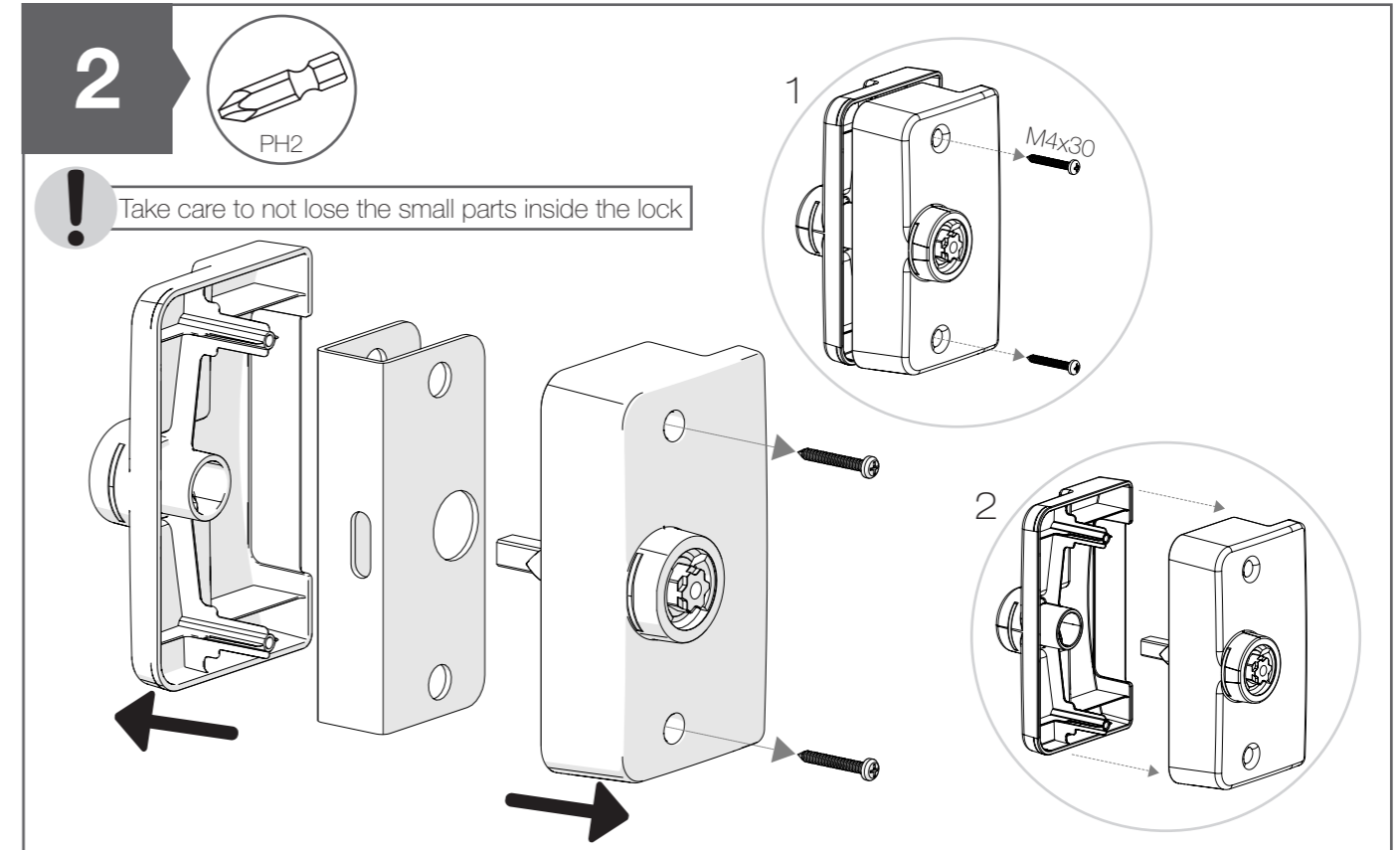
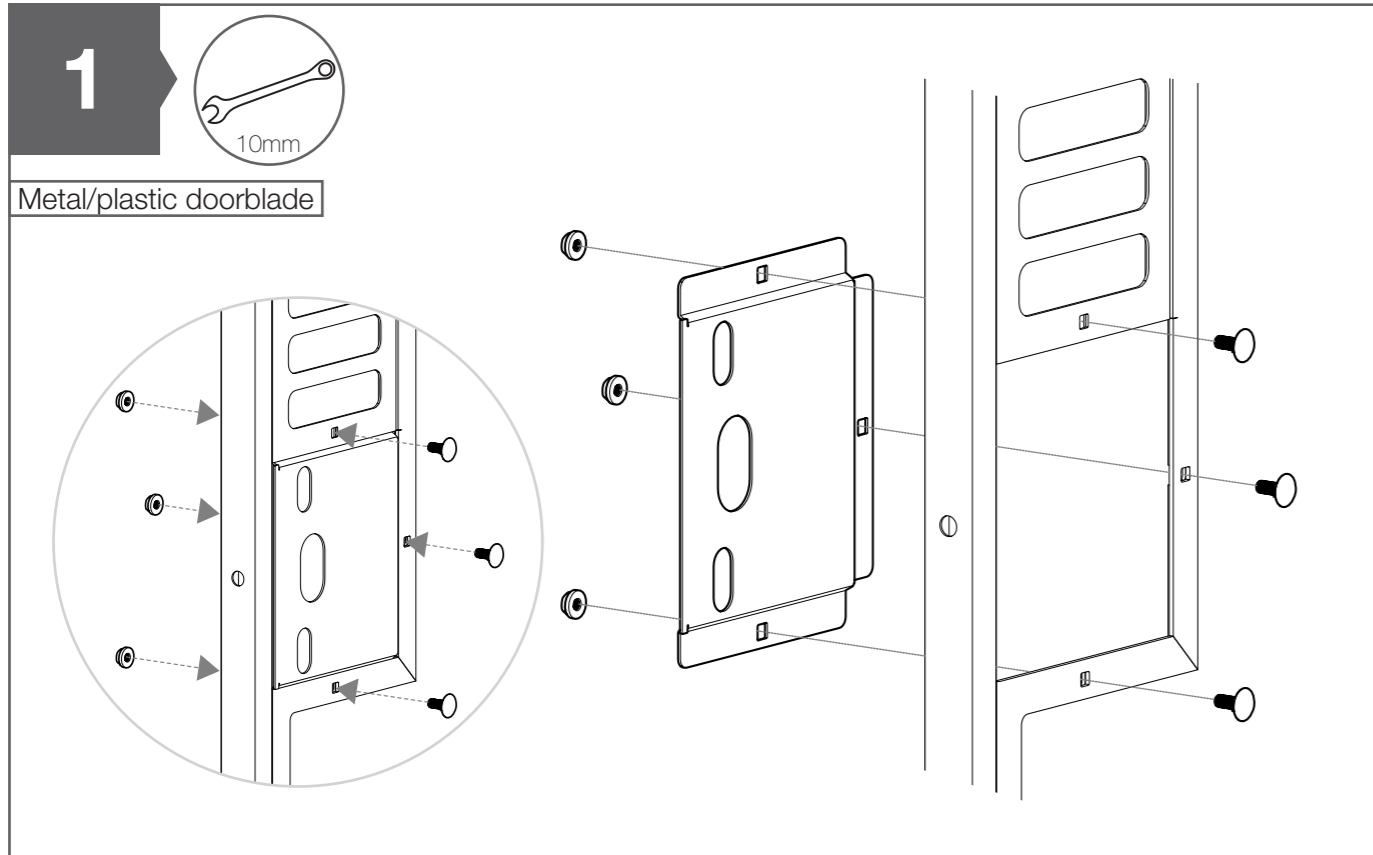
L10-05-2 → L10-05-2-PS

L20-05-2 → L20-05-2-PS





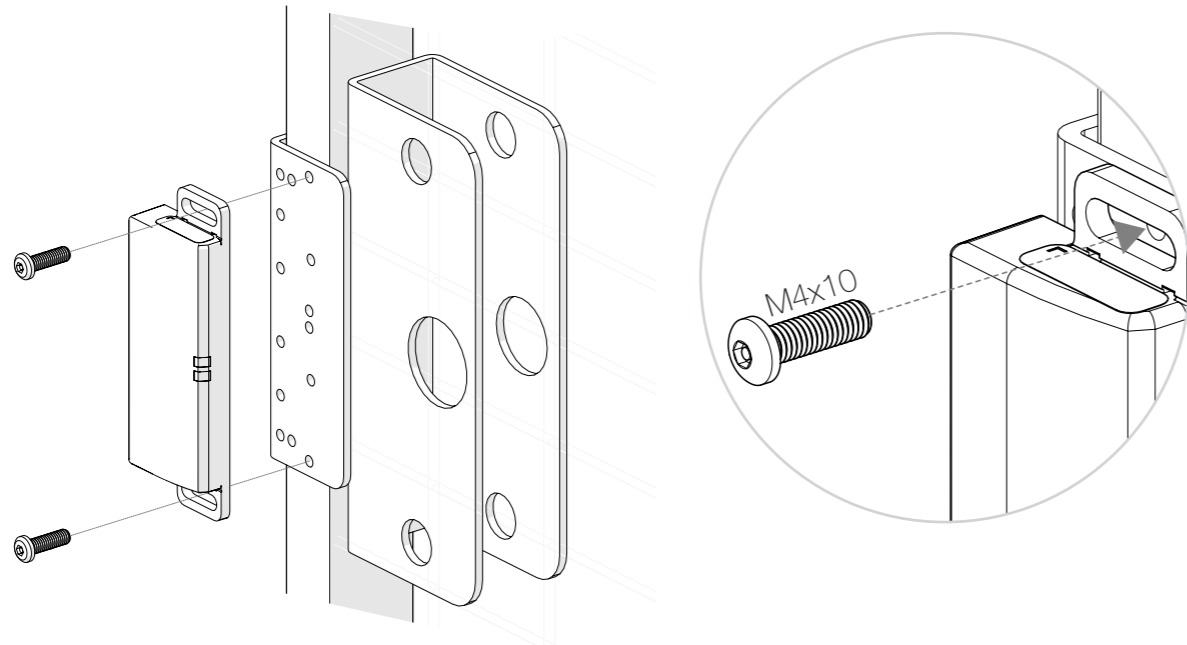
1 Doorblade



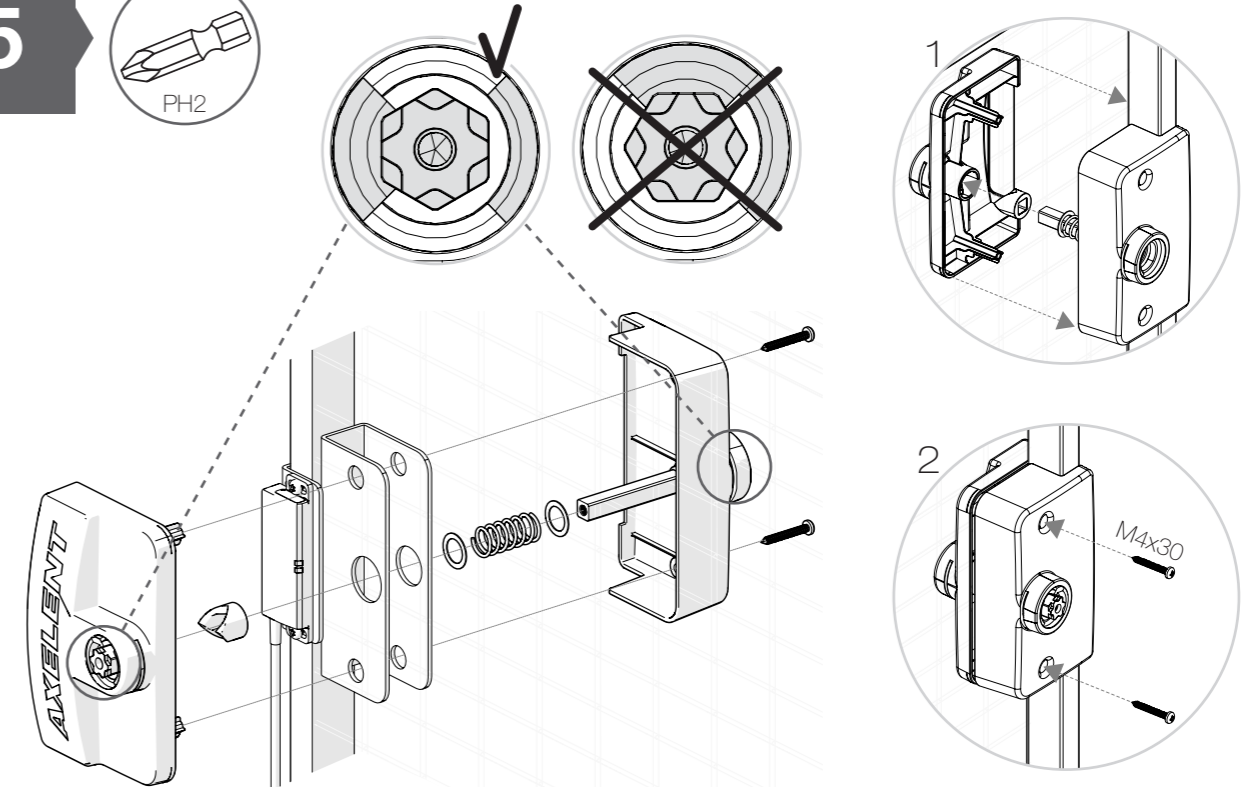
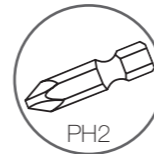


Optional

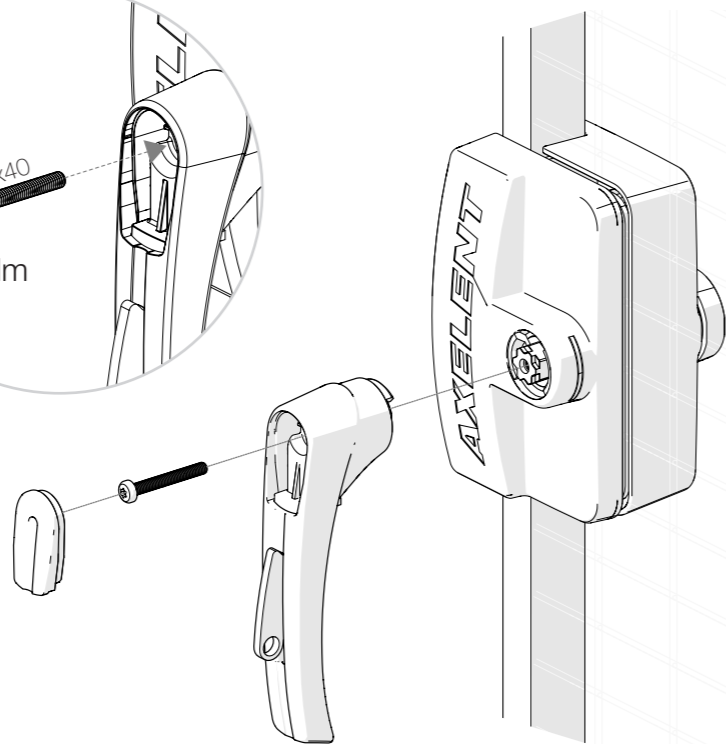
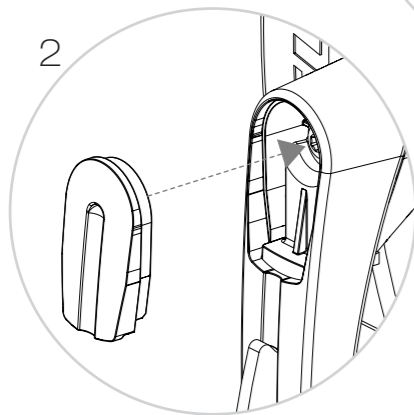
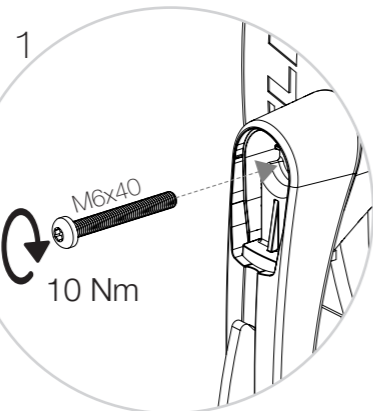
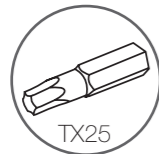
Example breaker switch: B-140 (Euchner CES-AR-CL2-CH-SA non-contact)



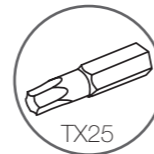
5



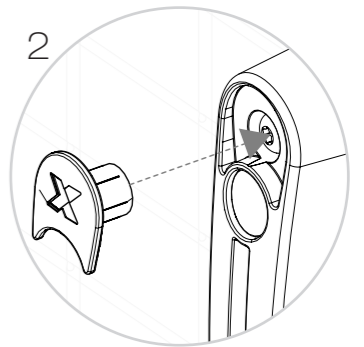
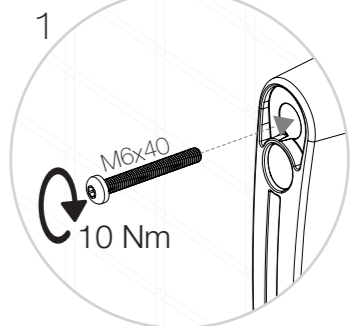
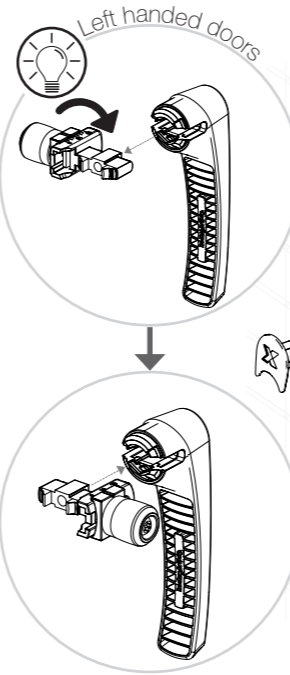
6

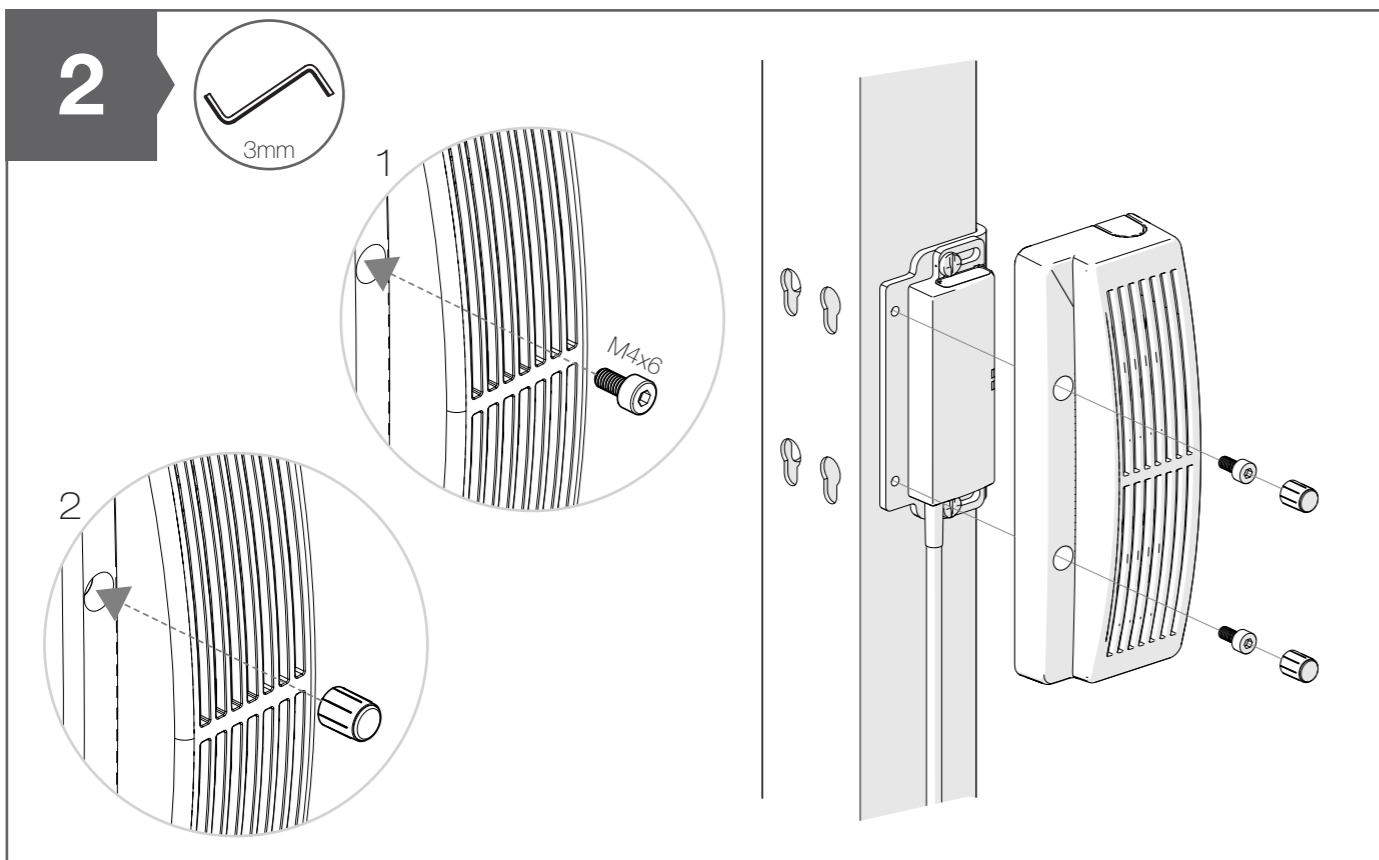
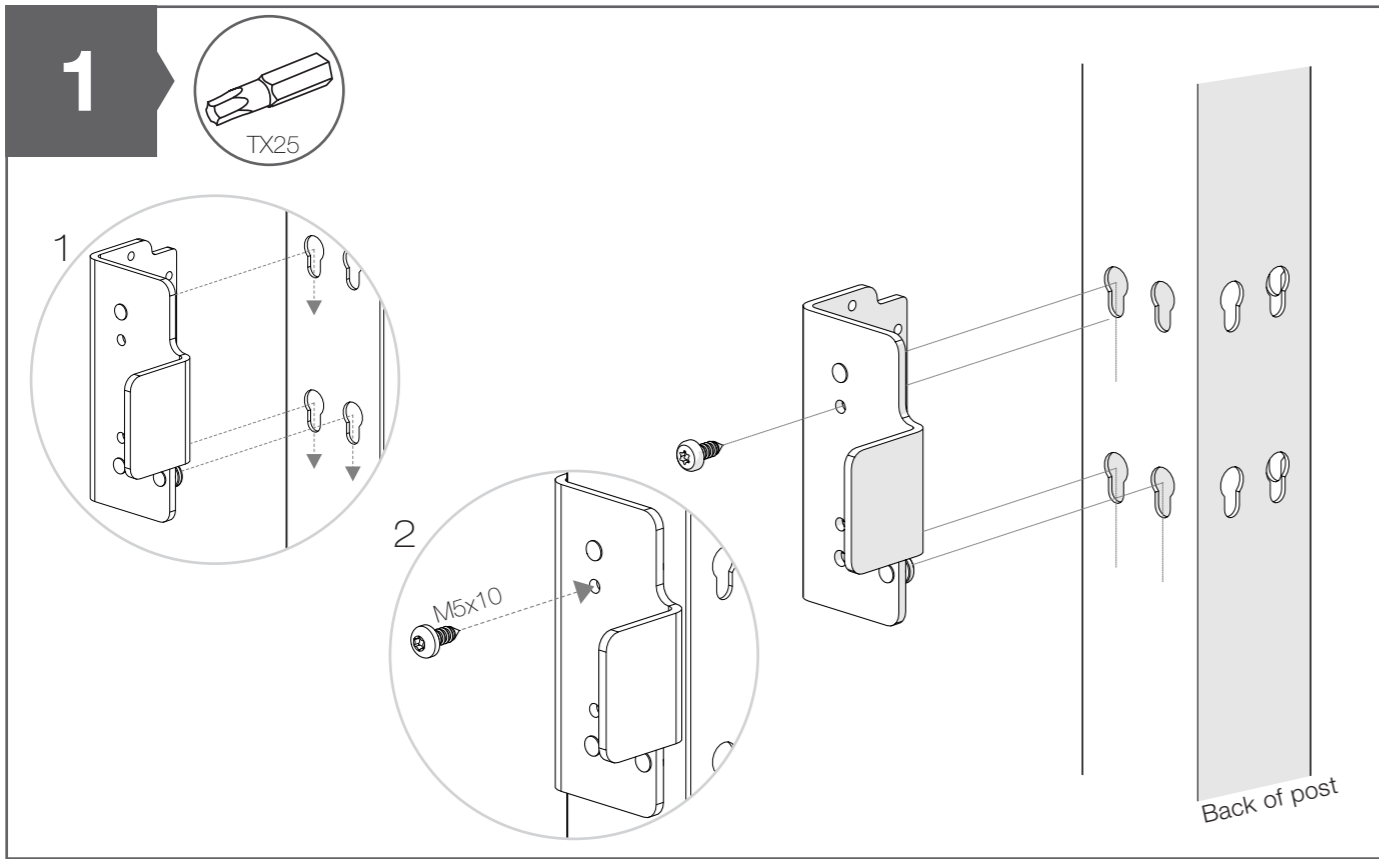


7



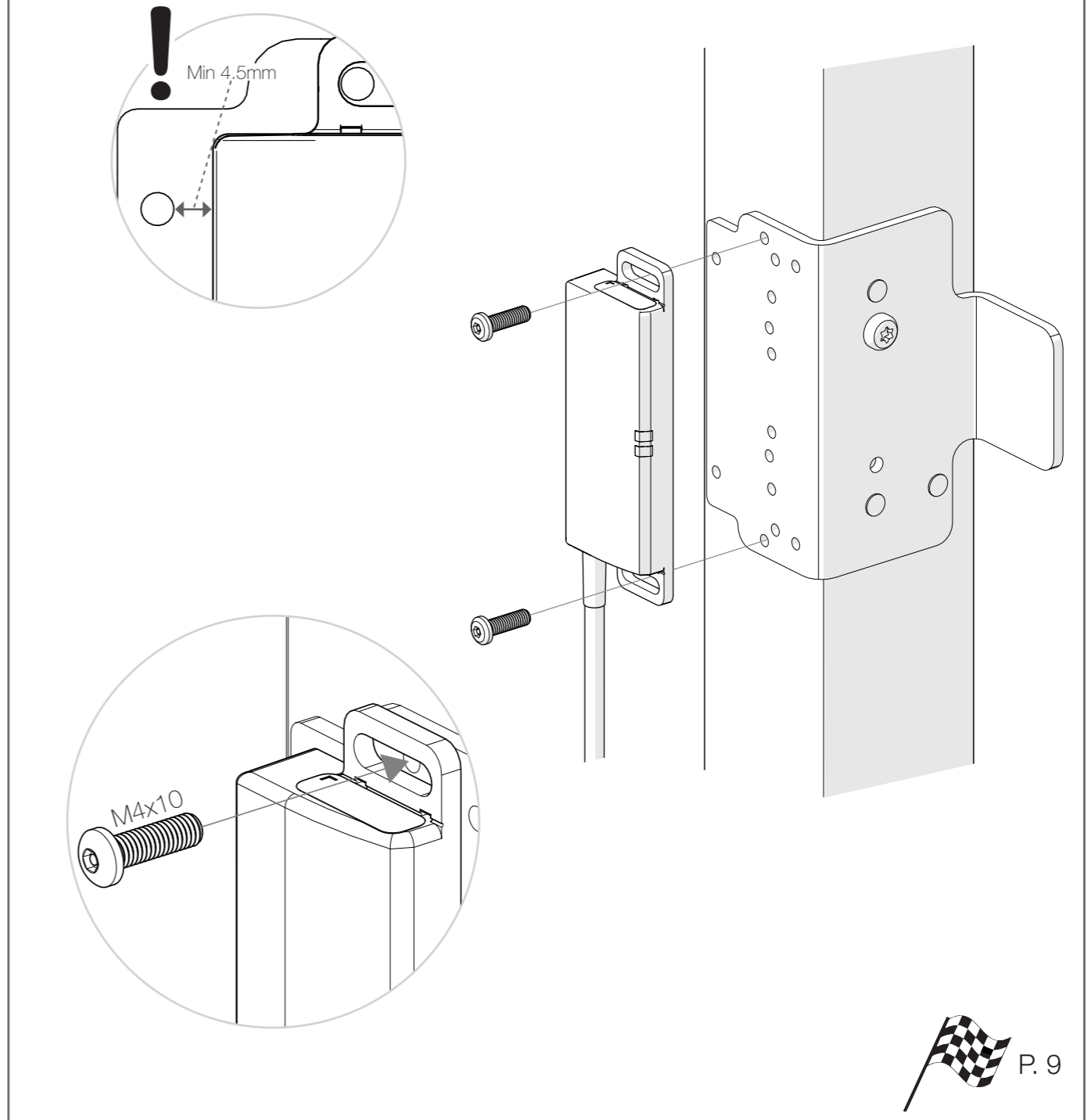
Left handed doors

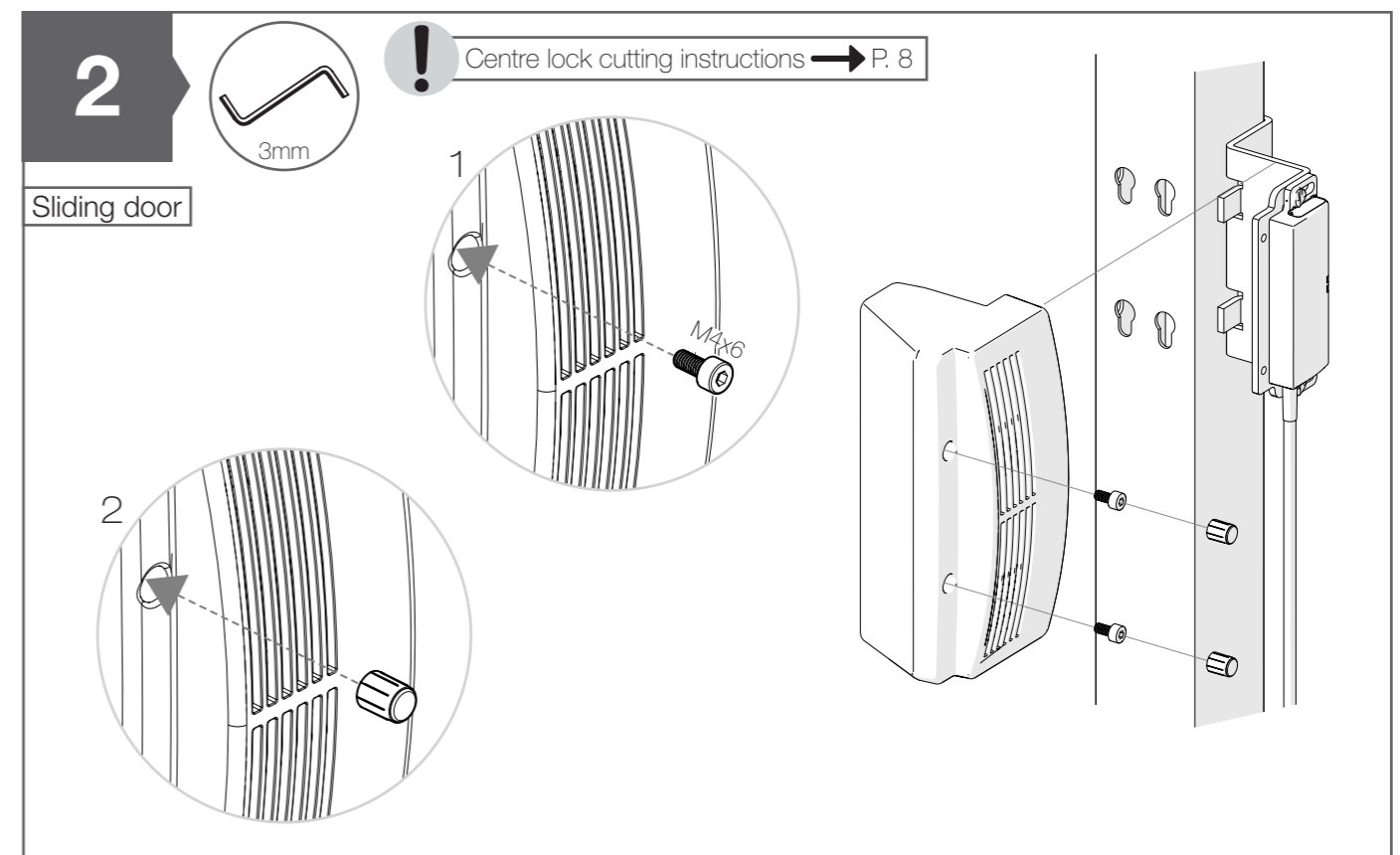
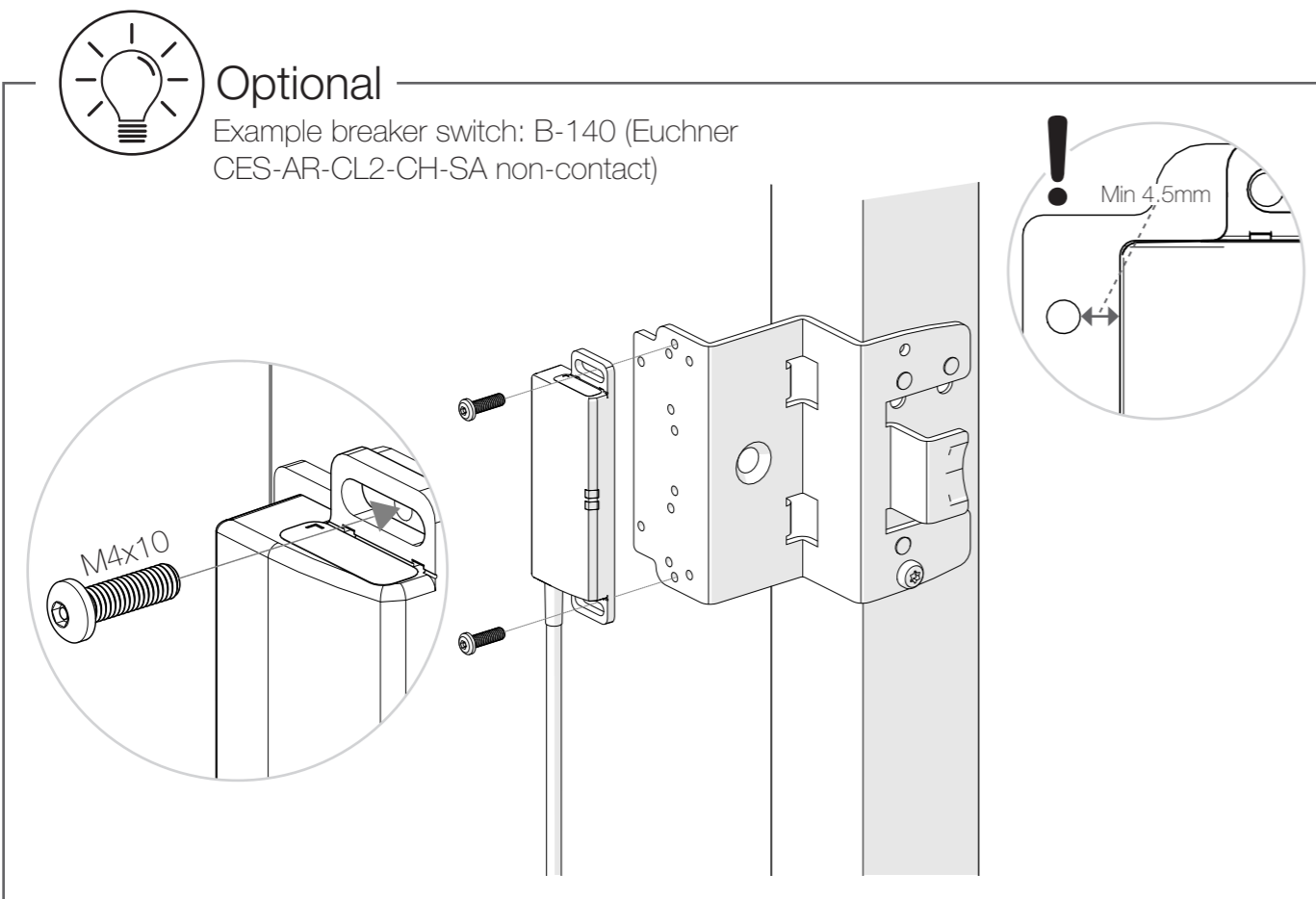
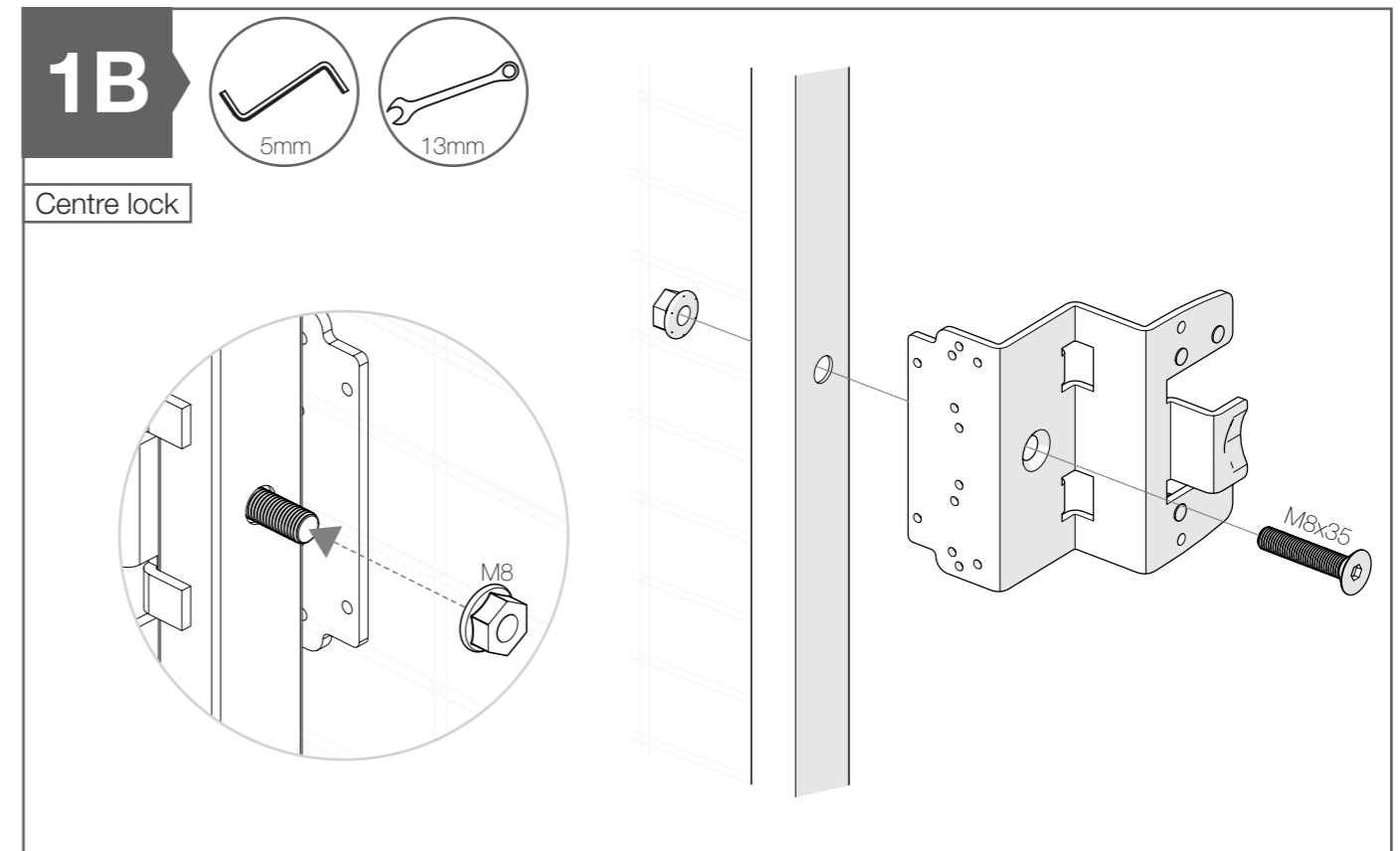
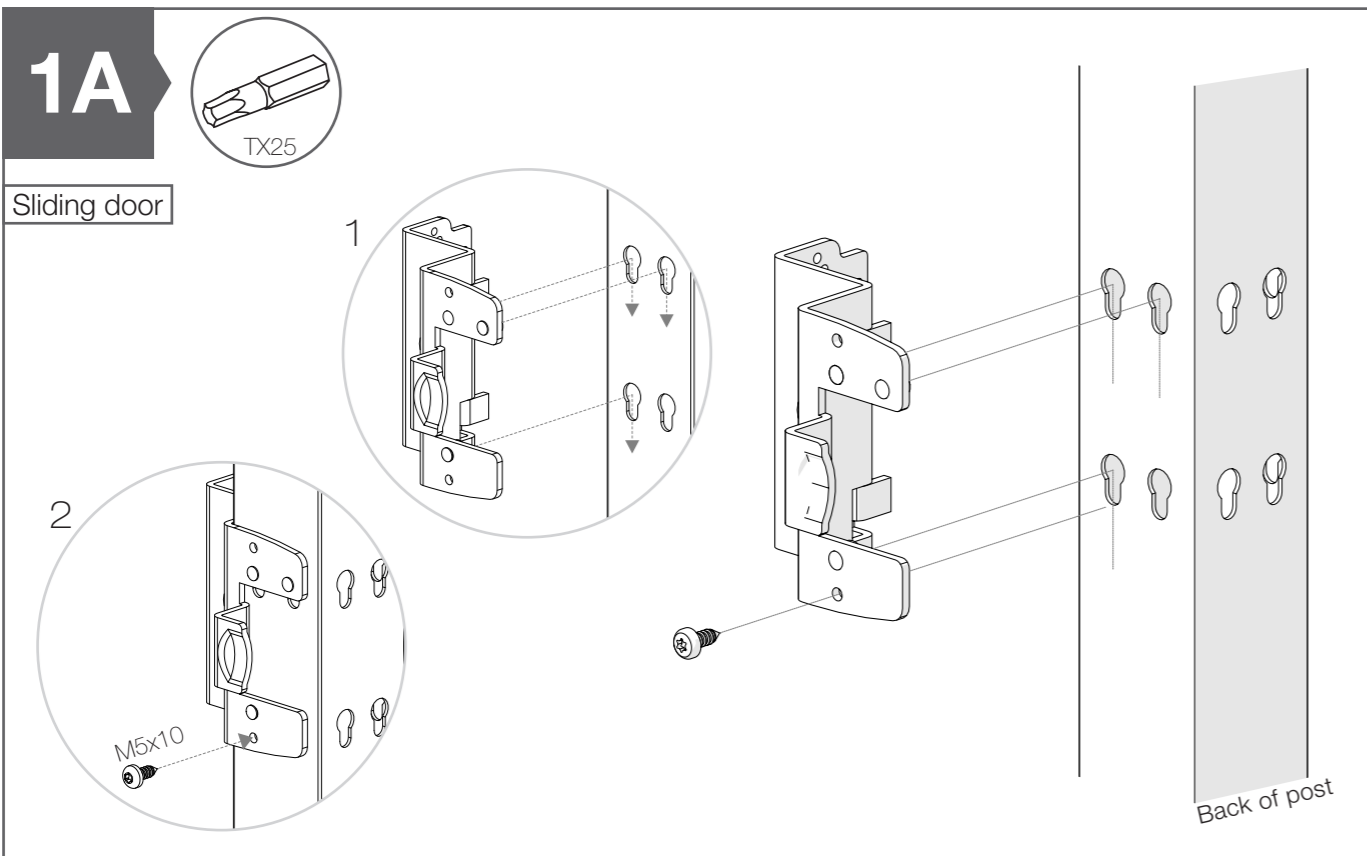




Optional

Example breaker switch: B-140 (Euchner CES-AR-CL2-CH-SA non-contact)

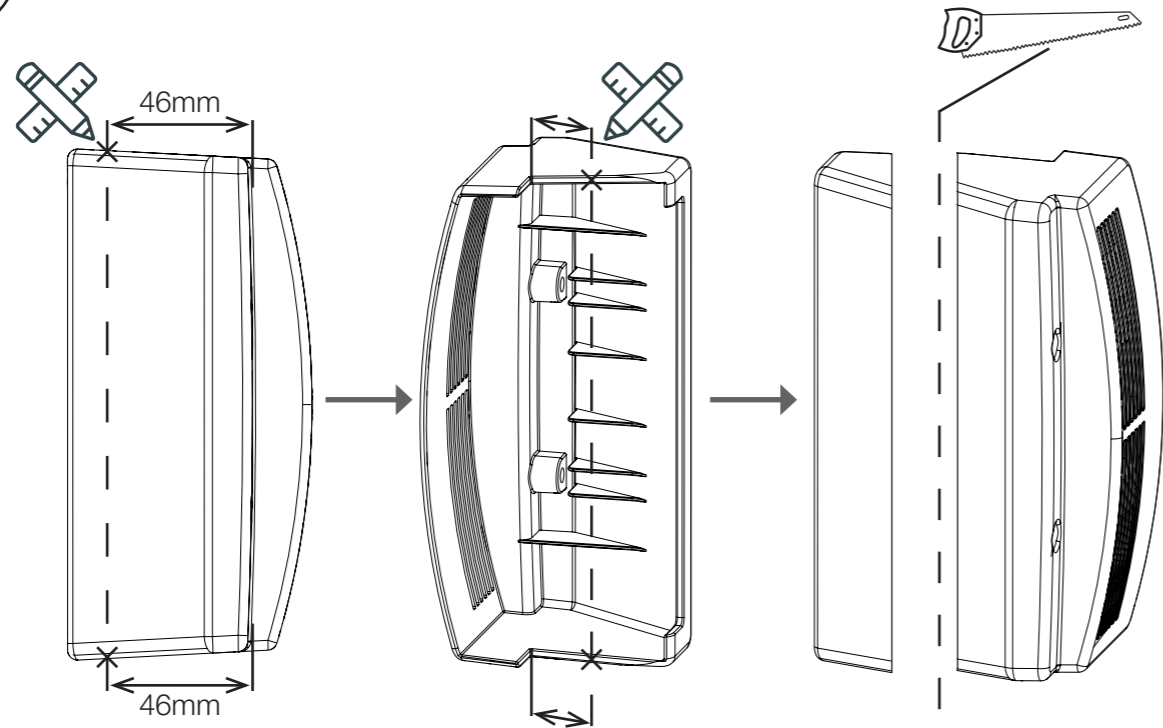




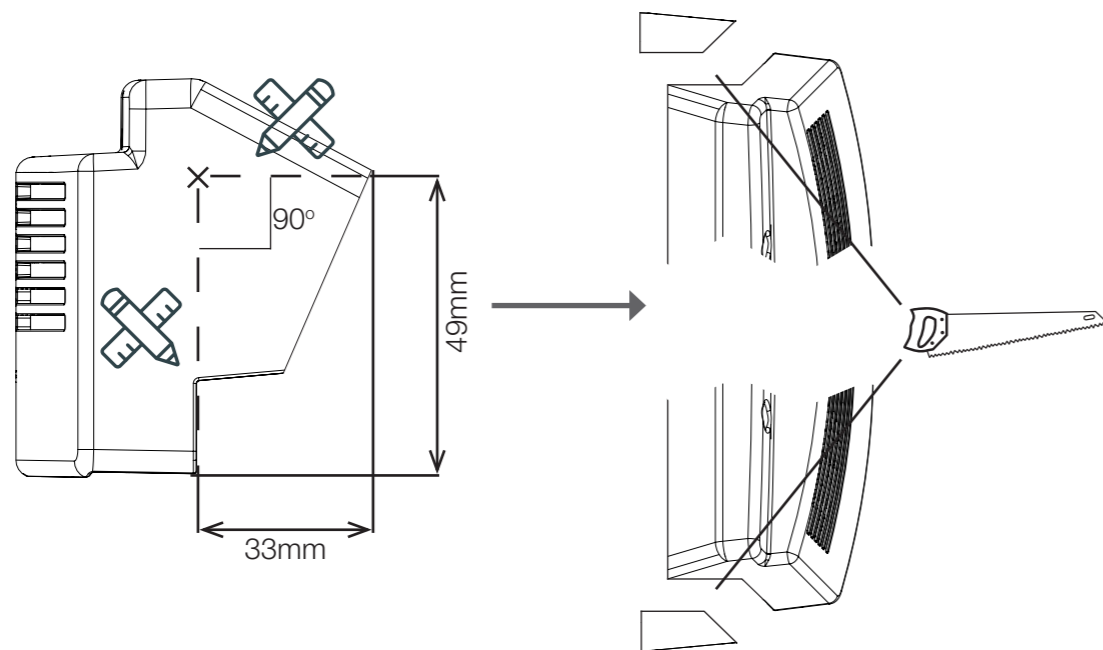


Centre lock cutting instr.

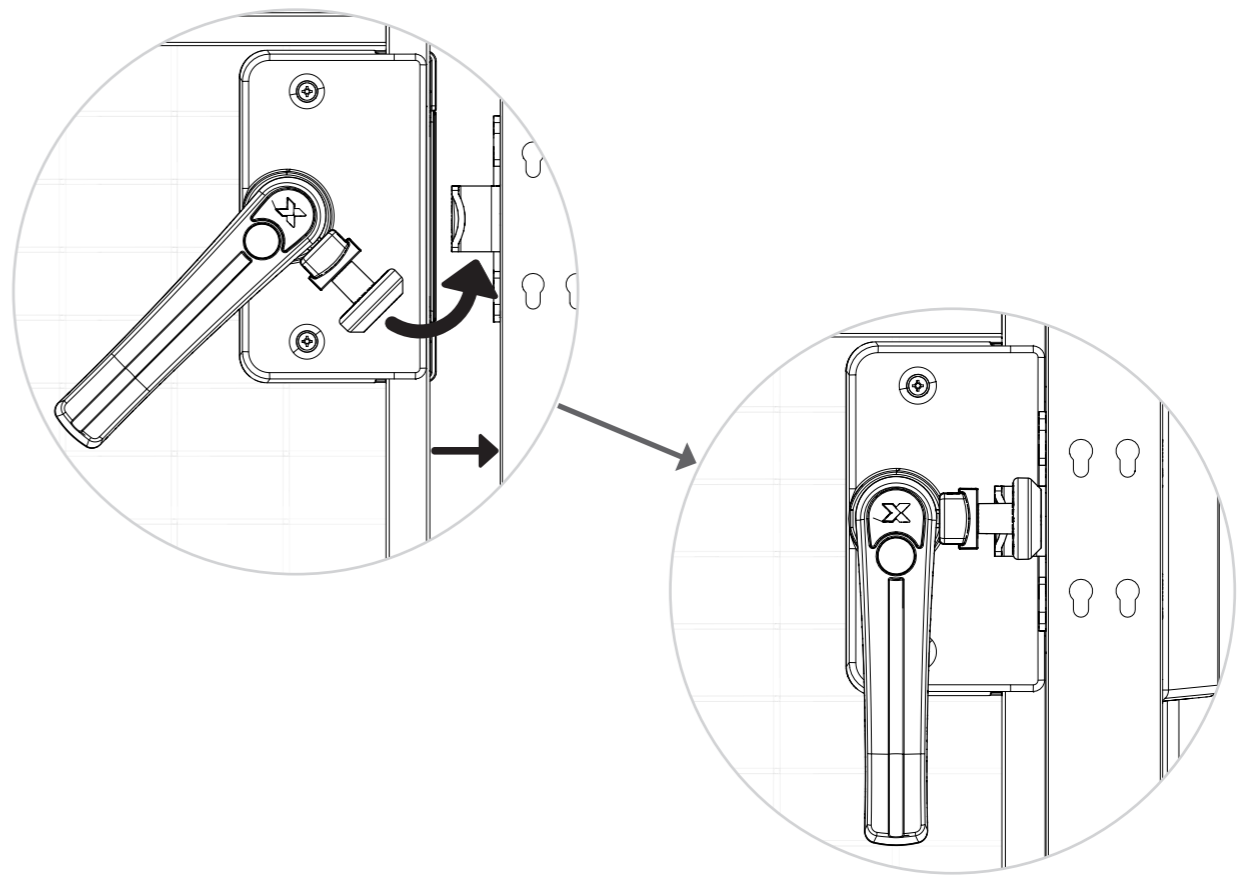
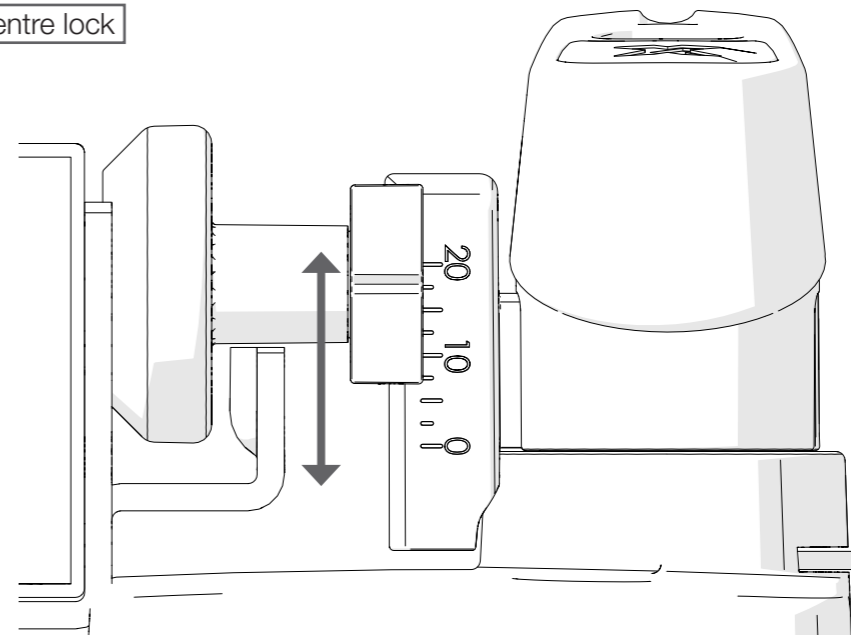
1

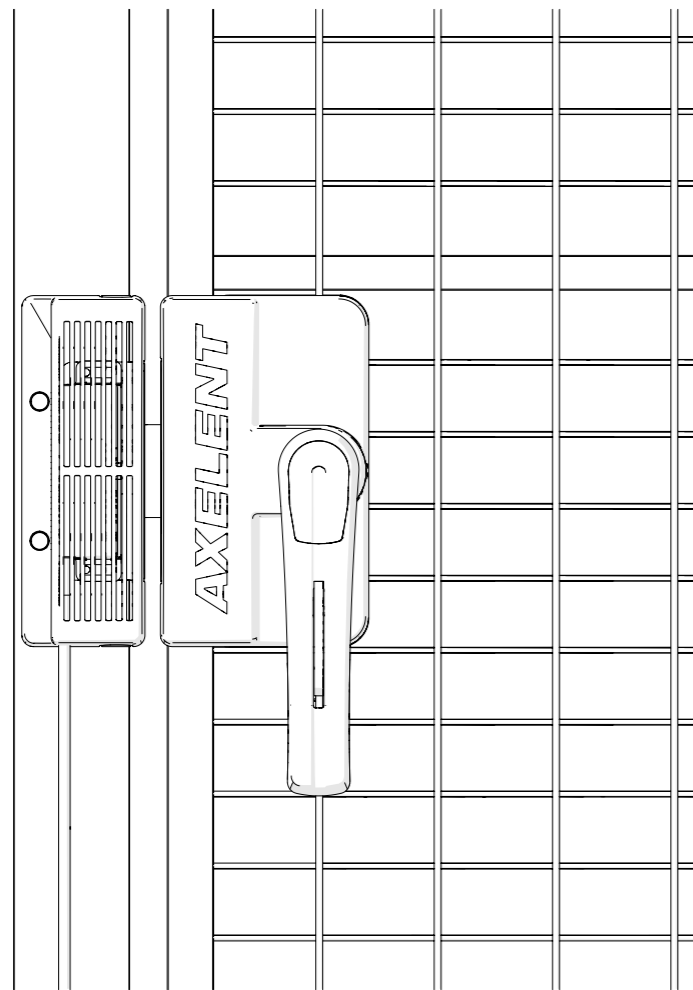


2

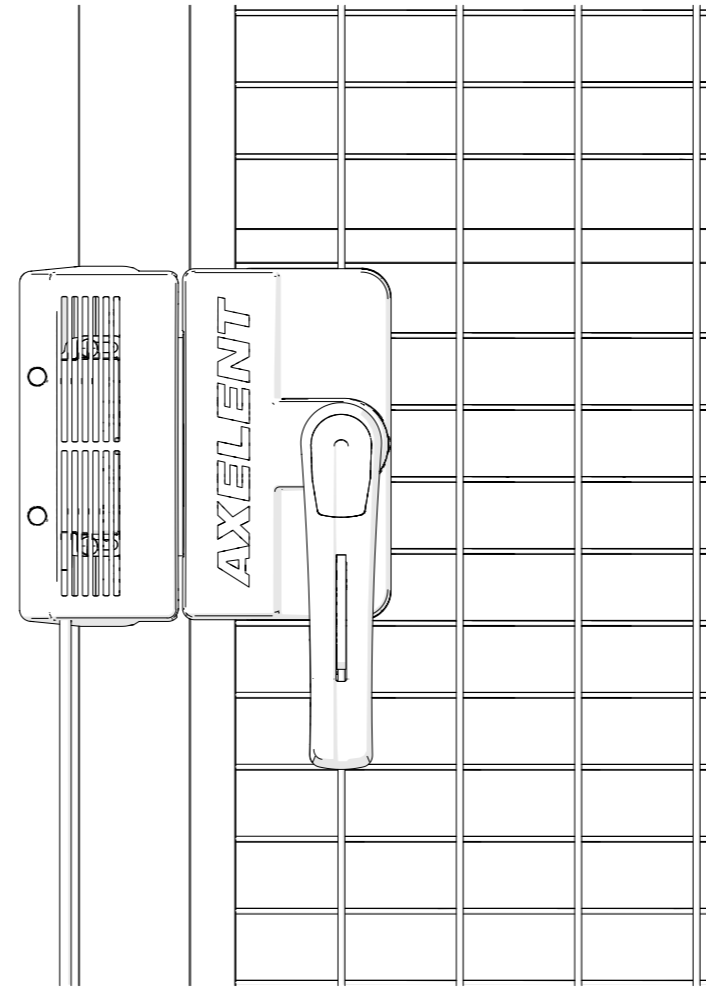


Sliding door / Centre lock

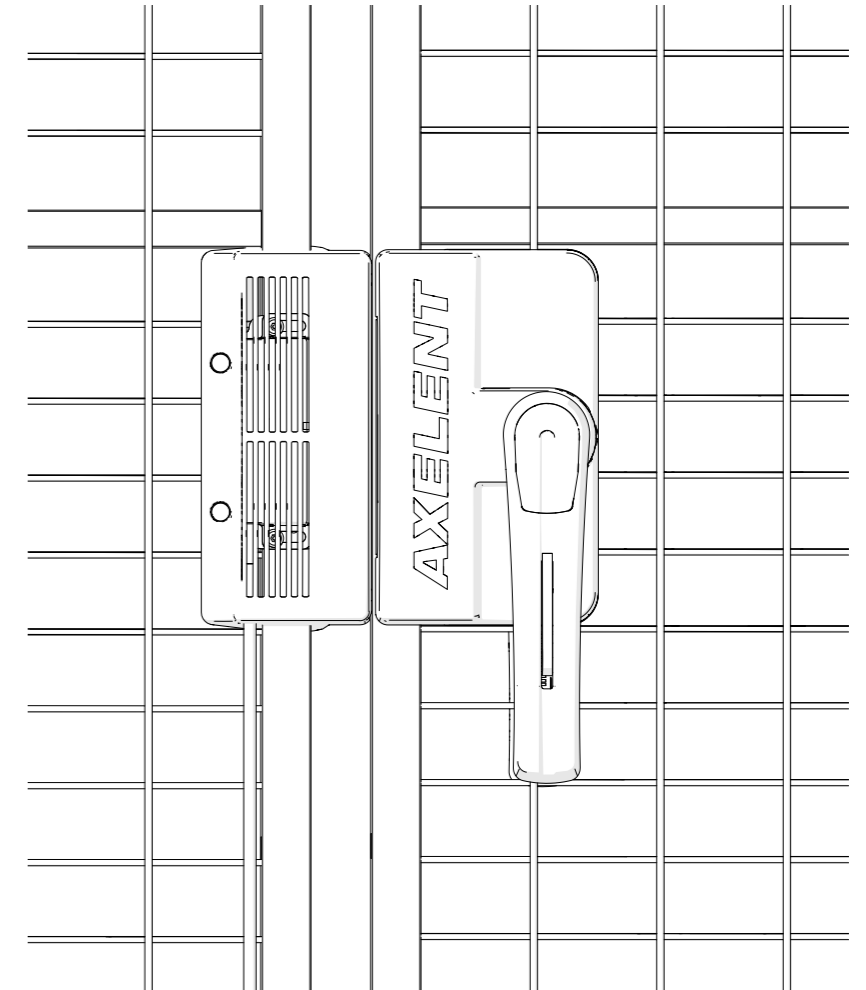




L10-05-2, Hinged door



L20-05-2, Sliding door



L20-05-2, Centre lock